

# Myriad™ Inline Banner Stand

Ultra Lightweight Inline Display

exhibiting solutions



## Myriad™ – Designed for Impact, Flexibility and Merchandising

Myriad™ gives you a full inline display with just two lightweight banner stand units. Myriad's center banner adds graphic area with little additional weight and no extra hardware. Myriad's built-in merchandising system combines the ability to display product or literature with the ease and convenience of a banner stand.



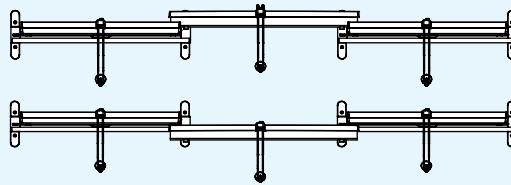
Center banner connects between two Myriad units and is available in flat or arched designs.



Durable nylon case has compartments and accessory trays to protect components during shipping and storage.

### Myriad™ 2-Unit Inline Display with Center Banner

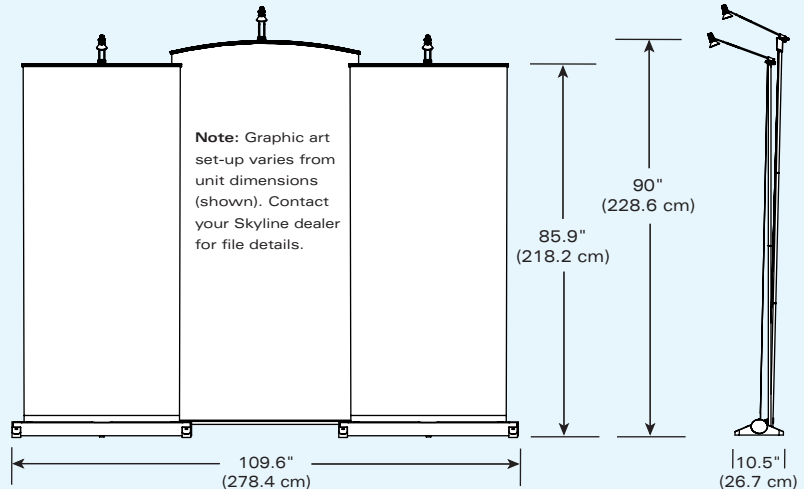
Top View



Center Banner Behind Side Panels

Center Banner In Front of Side Panels

Front View



Side View

Weight:  
31.9 lbs. (14.5 kg)

#### Cases (Cases include shoulder strap and handle)

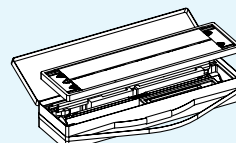
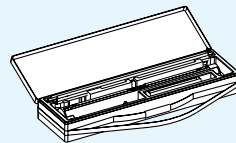
Complete inline display above packs in just 1 Short and 1 Tall case!

##### Short Case

Height: 5" (12.7 cm)  
Weight: 6.4 lbs. (2.9 kg)  
(Holds 1 unit or up to 3 accessory trays)

##### Tall Case

Height: 6" (15.2 cm)  
Weight: 8.4 lbs. (3.8 kg)  
(Holds 1 unit and Center Banner)



Width x length for both cases: 13" (33 cm) x 43.5" (110.5 cm)

**Skyline Exhibits**  
3355 Discovery Road  
St. Paul, Minnesota 55121

1-800-328-2725  
1-651-234-6592 International

[www.skyline.com](http://www.skyline.com)